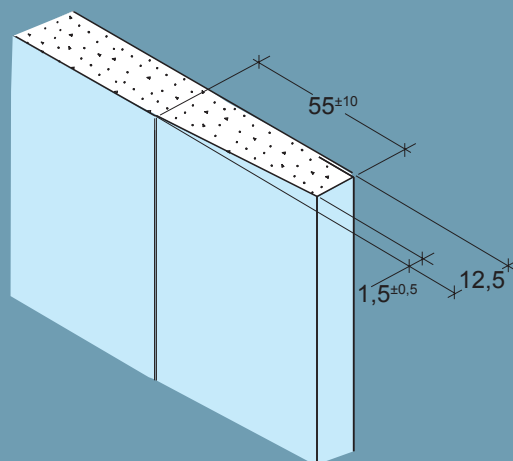
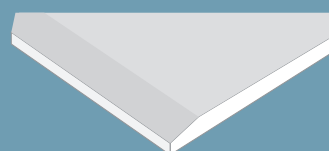


Tapered long edge for easy joint filling

Cut short edge



Solid Wet Board

13 mm H-1

Board type **H**
Edge **1**

Blad nr.: 15-11.14.2
Side: 1/1

12/2020

Product data

Properties		Value	Unit
Measures	Name of identification	13	mm
	Thickness	12.5	mm
	Width	*	mm
	Length	*	mm
	Weight	11.0	kg/m ²
	Density	1000	kg/m ³
Tolerances	Thickness	±0,5	mm
	Width	+0/-4	mm
	Length	+0/-4	mm
	Weight	± 4	%
	Long edge, parallelism	0	mm
Strengths	Short edge, squareness	2.5	mm/m width
	Flexural strength longitudinal	8.1	MPa
	Flexural strength transverse	4.5	MPa
Thermal	Displacement power per fixture	700	N
	λ-value	0.25	W/m·K
	Max. exposure, 5-10 min	≤ 120	°C
Moisture	Max. exposure, permanent	≤ 50	°C
	Z - value	0.64	GPa·s·m ² /kg
	Water vapour resistance factor	10	
Fire	Linear expansion at 45-90% variation in RF	0.04	%
	Reaction on fire	A2-s1,d0 (B1)	
	Cover class	K ₁ 10	
Standard	Declared type after EN 520	H2R	

* please see our product directory

Product description

Moisture resistant gypsum board for high humidity rooms and areas. Strong board with impregnated gypsum core, encased in heavy finished paper folded around the long edges. For drywalls and ceilings without any visible joints.

The board is supplied with tapered long edge no 1, for easy joint filling, and cut short edges.

Application

Knauf Solid Wet Board is to be used indoor for high humidity rooms and areas. Always a two layer construction with a MK-approved membrane for wet rooms.

Mounting

Two layers of 13 mm Solid Wet Boards on the base of steel is to be mounted with split joints. Always a two layer construction with a MK-approved membrane for wet rooms.

Cutting and adjustment

Cut the boards to size with a stanley knife or with a hand saw.

Identification

Knauf H-1 board for wet rooms is marked the following way: The front in the tapered edge of the board: "www.knaufdanogips.com, 13 H-1, date, time".

The middle of the board is marked with dots for indication of placement of screws with the distance of 300 mm.

The back, middle of the board: "Knauf Danogips, production line, team no, 13 H-1, date, time".