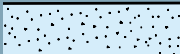
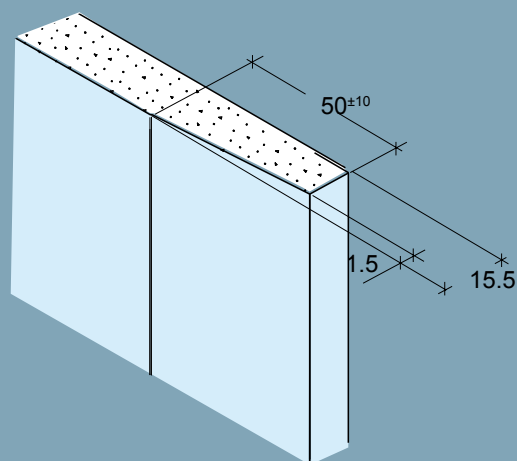

Tapered long edge for easy joint filling


Cut short edge



15 F-1 Secura Board fire resistant board

Board type F
Edge 1

Sheet no: 15-11.51.1
Page: 1/1

03/2017

Product data

Properties		Value	Unit
Measures	Name of identification	15	mm
	Thickness	15.5	mm
	Width	*	mm
	Length	*	mm
	Weight	12.0	kg/m ²
	Density	774	kg/m ³
Tolerances	Thickness	±0,5	mm
	Width	+0/-4	mm
	Length	+0/-4	mm
	Weight	± 4	%
	Long edge, parallelism	0	mm
	Short edge, squareness	2,5	mm/m width
Strengths	Flexural strength longitudinal	4.9	MPa
	Flexural strength transverse	1.9	MPa
	Displacement power per fixture	550	N
Thermal	λ-value	0.25	W/m·K
	Max. exposure, 5-10 min	≤ 120	°C
	Max. exposure, permanent	≤ 50	°C
Moisture	Z - value	0.79	GPa·s·m ² /kg
	Water vapour resistance factor	10	
	Linear expansion at 45-90% variation in RF	0.04	%
Fire	Reaction on fire	A2-s1,d0 (B1)	
	Cover class	K ₁ 10	
Standard	Declared type after EN 520	F	

* please see our product directory

Product description

Glass fibre reinforced 15 F-1 mm fire resistant board. The board is supplied with tapered long edge no 1, for easy joint filling, and cut short edges.

Application

Use Secura Board indoor in dry rooms for a K₂60 fire protection system for among other thing load bearing walls and wooden constructions. Can also be used to our MK-approved floor decks as well as EI 120 partitions.

Mounting

One or two layers of 15 mm Secura Board on the base of either steel or wood is to be mounted. 15 F-1 is to be mounted with split joints.

Identification

Knauf F-1 Secura Board is marked the following way:

The front in the tapered edge of the board:

"www.knaufdanogips.com, 15 F-1, date, time".

The middle of the board is marked with dots for indication of placement of screws with the distance of 300 mm. The back, middle of the board: "Knauf Danogips, production line, team no, 15 F-1, date, time".