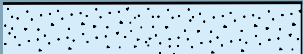
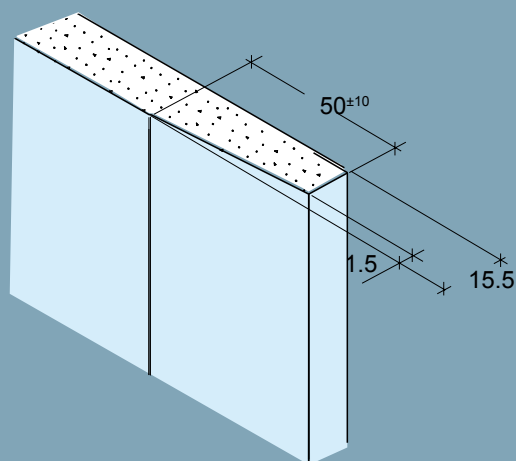
  
Tapered long edge for easy joint filling

  
Cut short edge



# 15 F-1 Secura Board fire resistant board

**Board type** F  
**Edge** 1

Sheet no: 15-11.51.1  
Page: 1/1

03/2017

## Product data

Properties		Value	Unit
Measures	Name of identification	15	mm
	Thickness	15.5	mm
	Width	*	mm
	Length	*	mm
	Weight	12.0	kg/m <sup>2</sup>
	Density	774	kg/m <sup>3</sup>
Tolerances	Thickness	±0,5	mm
	Width	+0/-4	mm
	Length	+0/-4	mm
	Weight	± 4	%
	Long edge, parallelism	0	mm
	Short edge, squareness	2,5	mm/m width
Strengths	Flexural strength longitudinal	4.9	MPa
	Flexural strength transverse	1.9	MPa
	Displacement power per fixture	550	N
Thermal	λ-value	0.25	W/m·K
	Max. exposure, 5-10 min	≤ 120	°C
	Max. exposure, permanent	≤ 50	°C
Moisture	Z - value	0.79	GPa·s·m <sup>2</sup> /kg
	Water vapour resistance factor	10	
	Linear expansion at 45-90% variation in RF	0.04	%
Fire	Reaction on fire	A2-s1,d0 (B1)	
	Cover class	K <sub>1</sub> 10	
Standard	Declared type after EN 520	F	

\* please see our product directory

## Product description

Glass fibre reinforced 15 F-1 mm fire resistant board. The board is supplied with tapered long edge no 1, for easy joint filling, and cut short edges.

## Application

Use Secura Board indoor in dry rooms for a K<sub>2</sub>60 fire protection system for among other thing load bearing walls and wooden constructions. Can also be used to our MK-approved floor decks as well as EI 120 partitions.

## Mounting

One or two layers of 15 mm Secura Board on the base of either steel or wood is to be mounted. 15 F-1 is to be mounted with split joints.

## Identification

Knauf F-1 Secura Board is marked the following way:

The front in the tapered edge of the board:

"www.knaufdanogips.com, 15 F-1, date, time".

The middle of the board is marked with dots for indication of placement of screws with the distance of 300 mm. The back, middle of the board: "Knauf Danogips, production line, team no, 15 F-1, date, time".