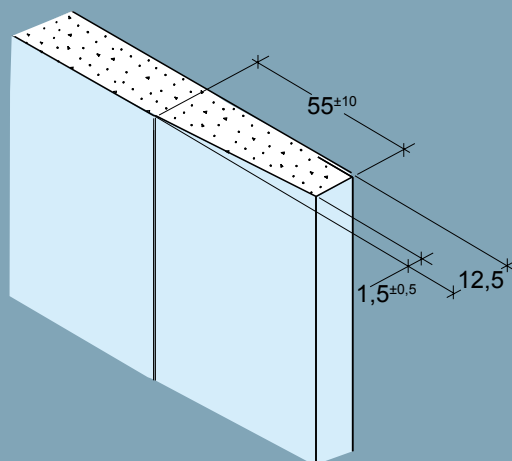
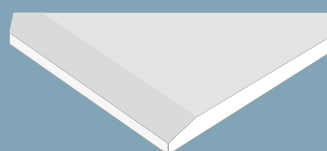


Tapered long edge for easy joint filling

Cut short edge



Classic 1 Board 13 mm A-1

Board type **A**
Edge **1**

Page: 1/1

02/2017

Product data

Properties		Value	Unit
Measures	Name of identification	13	mm
	Thickness	12,5	mm
	Width	*	mm
	Length	*	mm
	Weight	8,3	kg/m ²
	Density	664	kg/m ³
Tolerances	Thickness	±0,5	mm
	Width	+0/-4	mm
	Length	+0/-4	mm
	Weight	± 4	%
	Long edge, parallelism	0	mm
Strengths	Short edge, squareness	2.5	mm/m width
	Flexural strength longitudinal	6.2	MPa
	Flexural strength transverse	2.4	MPa
	Shear strength per fastener	450	N
Thermal	λ-value	0.25	W/m·K
	Max. exposure, 5-10 min	≤ 120	°C
	Max. exposure, permanent	≤ 50	°C
Moisture	Z - value	0.64	GPa·s·m ² /kg
	Water vapour resistance factor	10	
	Linear expansion at 45-90% variation in RF	0.04	%
Fire	Reaction on fire	A2-s1,d0 (B1)	
	Covering class	K ₁ 10	
Standard	Declared type after EN 520	A	

* please see our product directory

Product description

Standard gypsum board. Glass fibre reinforced core, encased in heavy finished paper folded around the long edges. For drywalls and ceilings with-out any visible joints.

The board is supplied with tapered long edge no 1, for easy joint filling, and cut short edges.

Application

Knauf Classic 1 Board is to used indoor in dry room for drywalls and ceilings without any visible joints.

Mounting

One or two layers of 13 mm Classic 1 Boards on the base of either steel or wood is to be mounted with split joints.

Identification

Knauf Classic 1 Board is marked the following way:

The front in the tapered edge of the board: "www.Knauf.dk, 13 A-1, date, time".

The middle of the board is marked with dots for indication of placement of screws with the distance of 300 mm.

The back, middle of the board: "Knauf, production line, team no, 13 A-1, date, time".